

preliminary

vivopay 4880 OEM

Magnetic Stripe, Smart Card, and Contactless Reader

Compact Magnetic Stripe, Smart Card, and Contactless Reader

ID TECH's ViVOpay 4880 OEM represents the latest innovation in secure payment acceptance. The ViVOpay 4880 OEM incorporates triple-tracks MagStripe, smart card, and contactless technologies. This all-in-one reader enables the acceptance of MagStripe, EMV smart card, and NFC/contactless payments including Android Pay, Apple Pay, Samsung Pay, Interac, MasterCard MCL, Visa VCPS, American Express ExpressPay, Discover DPAS, and more.

Function

ID TECH's ViVOpay 4880 OEM communicates to the host via USB and is supported with a SDK, to allow for simple and easy integration. The USB port is also used for charging.

The ViVOpay 4880 OEM provides the ultimate flexibility by allowing the ICC connection and the magnetic stripe head to be installed remotely from the main contactless module.



Features and Benefits:

- EMV Contact Level 1 & 2 Certified
- EMV Contactless Level 1 & 2 Certified
 - ISO 18092 and 14443
 - Supports all major card brands
- Compact and ergonomic design is ideal for countertop use with optional stand
- Encrypted MSR, Chip Card, and Contactless reader with DUKPT key management
- Micro-USB
- 1 year manufacturer warranty



Part number TBD

Electrical

Interfaces: USB

Environmental

Operating Temperature: 32°F to 131°F (0°C to 55°C)
 Storage Temperature: -4°F to 140°F (-20°C to 60°C)
 Humidity: Maximum 95% non-condensing

Reliability

Operating Life: MagStripe Reader: 300,000 card swipes minimum
 Smart Card Reader: 80,000 card cycles minimum
 Warranty: One year, parts and labor

Mechanical

Dimension (H)x(L)x(W): 2.52 inches (64 mm) x 1.93 inches (49 mm) x 0.57 inches (14.5 mm)
 Media Thickness: 0.76mm ± 0.08mm minimum
 0.89 maximum
 Card Seated Switch: ICC fully-seated sensor
 Color: Black/White

Footprint: *MagStripe FPC and ICC Connector Cable lengths can be customized

United States Sales Office

Corporate Headquarters

10721 Walker Street
 Cypress, CA 90630
 Phone: (714) 761-6368
 Toll Free: (800) 984-1010
 Fax: (714) 761-8880
 sales@idtechproducts.com

International Sales Offices

Asia

+ 866-3-496-6988 (Taiwan)
 asia@idtechproducts.com.tw

Canada

+ 450-465-5261
 robertop@idtechproducts.com

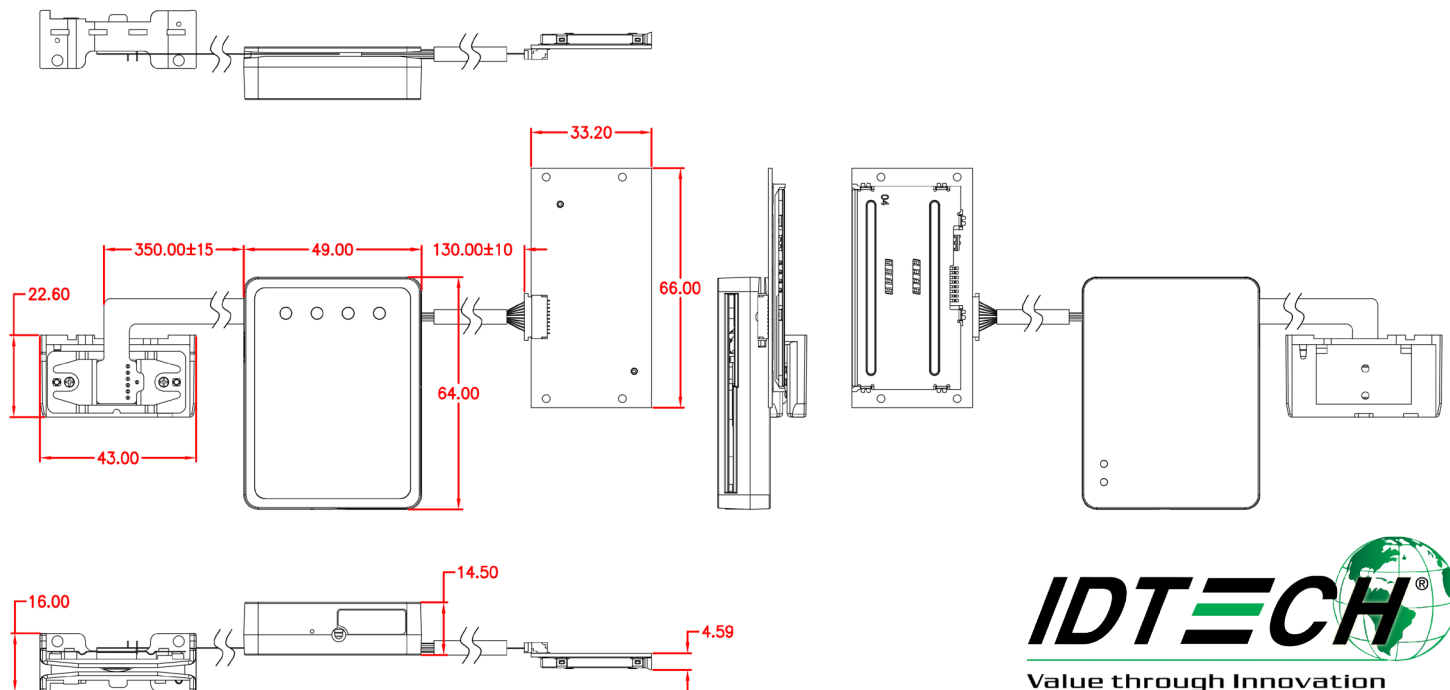
South America

+ 55-11-3079-2255
 internationalsales@idtechproducts.com

Europe

+ 011-44-1925-269550
 emea@idtechproducts.com

ISO 9001 Certified



Value through Innovation
 www.idtechproducts.com

